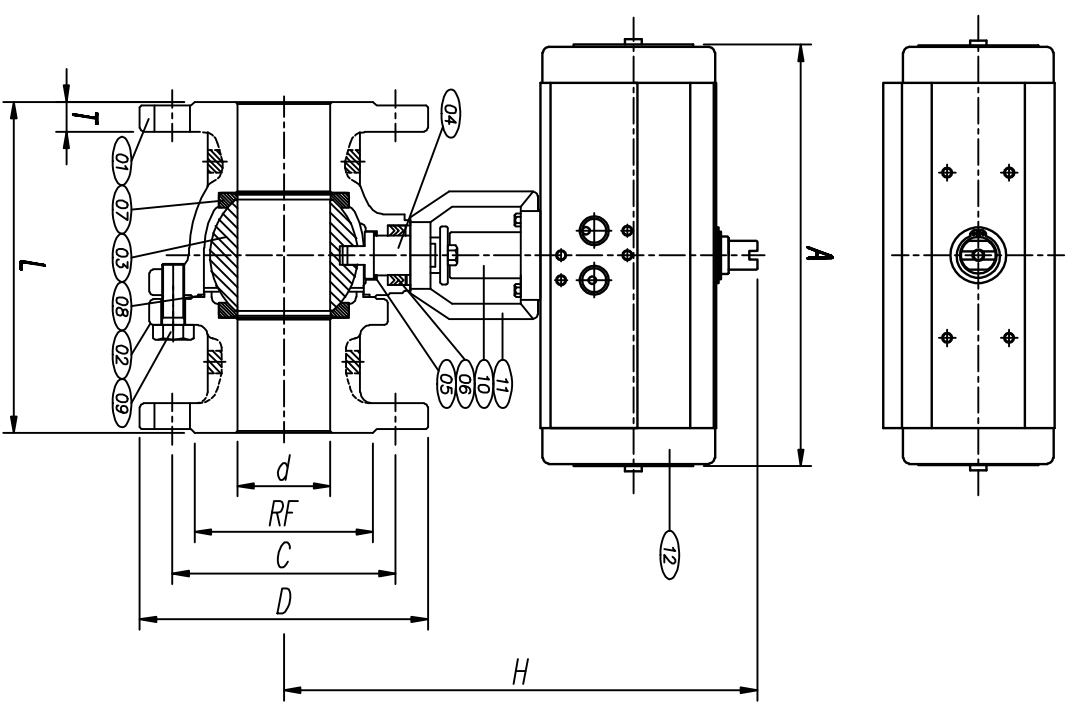
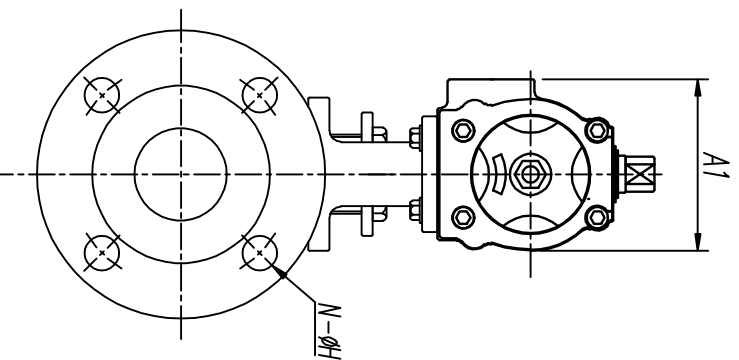


05-1
FOR APPROVAL



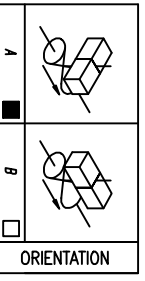
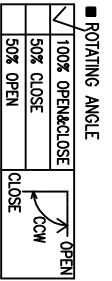
■ DIMENSION JIS 10K RF(mm)

MODEL	QTY	ACTUATOR		H (APPROX.)	L±1.6	END CONNECTION						Q (MINI-T ENCE)	+ (MIN WALL THICKNESS)	WEIGHT (APPROX.)
		A	A1			RF	C	D	N-H					
TD65-50F	-	204	83	243	178	16	50	100	120	155	4-19	-	-	-
TD65-40F	-	204	83	235	165	16	40	85	105	140	4-19	-	-	-
TD65-32F	-	204	83	214	140	16	32	80	100	135	4-19	-	-	-
TD50-25F	-	162	73	172	127	14	25	70	90	125	4-19	-	-	-
TD50-20F	-	162	73	163	117	14	20	58	75	100	4-15	-	-	-
TD50-15F	-	162	73	160	108	12	15	52	70	95	4-15	-	-	-

■ INSTALLATION SCHEMATIC



NO.	PART NAME	QTY	MATERIAL	REMARK
1	BODY	1	SCS13	
2	BONNET	1	SCS13	
3	BALL	1	SUS304	
4	STEM	1	SUS304	
5	BACK SEAT	1	PTFE	
6	PACKING	1SET	PTFE	
7	SEAT RING	2	PTFE	
8	GASKET	1	PTFE	
9	BONNET BOLT	1SET	A193-B7	
10	JOINT	1	A 351 CF8	
11	BRACKET	1	A 351 CF8	
12	ACTUATOR	1	TD	KOREAW
13				
14				
15				



△	Design			
△	Date			
△	Description		Pre d	Che d
△	Designed by		Checked by	Approved by
△	CL, RM			

FLANGE BALL VALVE

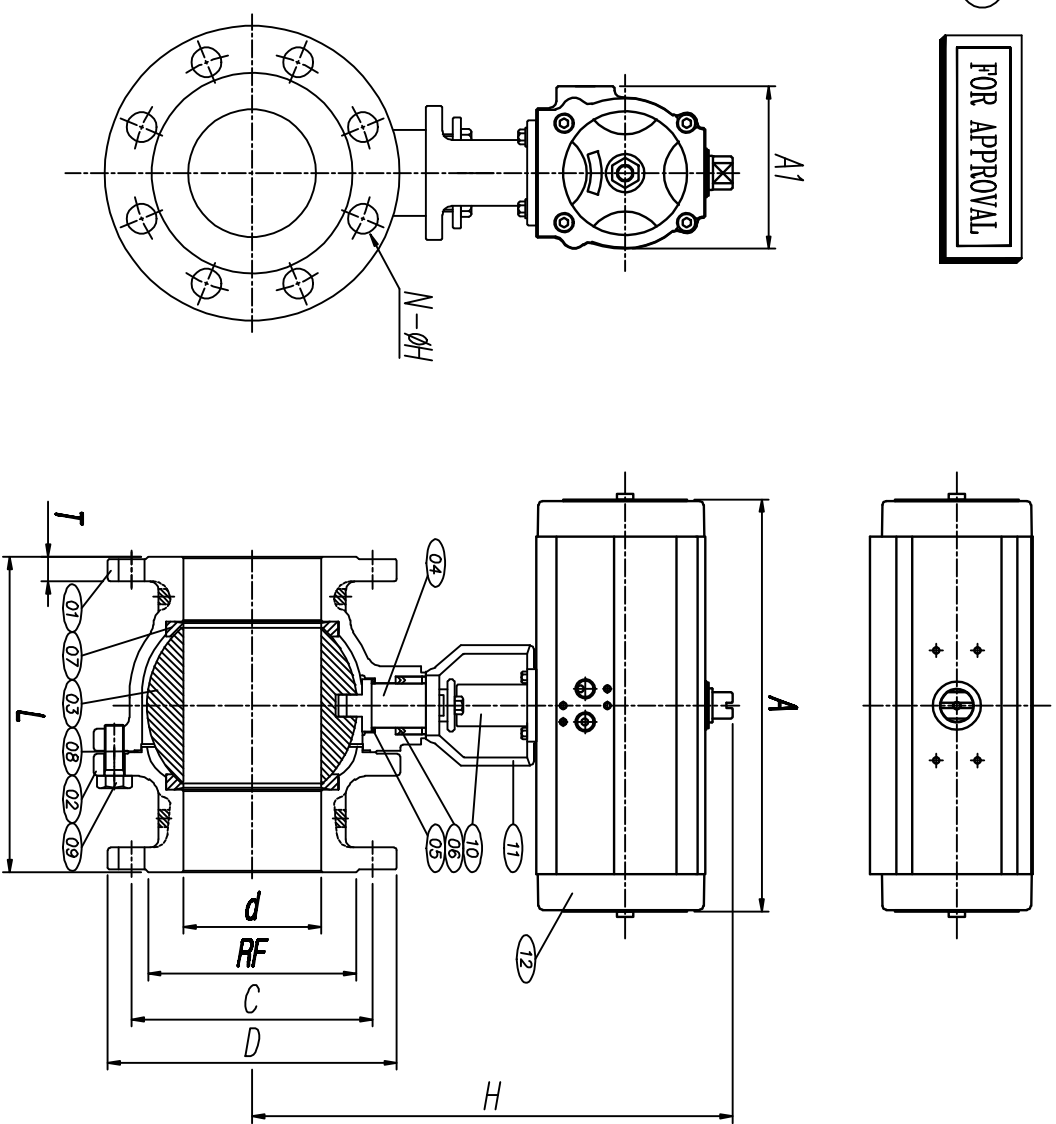
Model TD50-15F ~ TD65-50F

Drawing no.	Size	Scale	Unit
A110214-01-05	A4	N:S	mm



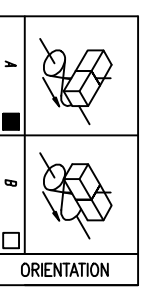
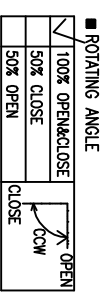
05-2

FOR APPROVAL



NO.	PART NAME	QTY	MATERIAL	REMARK
1	BODY	1	SCS13	
2	BONNET	1	SCS13	
3	BALL	1	SUS304	
4	STEM	1	SUS304	
5	BACK SEAT	1	PTFE	
6	PACKING	1SET	PTFE	
7	SEAT RING	2	PTFE	
8	GASKET	1	PTFE	
9	BONNET BOLT	1SET	A193-B7	
10	JOINT	1	A 351 CF8	
11	BRACKET	1	A 351 CF8	
12	ACTUATOR	1	TD	KOREAW
13				
14				
15				

TAG NO.



Rev.	Date	Description	Pre.d	Che.d	App.d

Designed by _____ Checked by _____
 C.L. KM Approved by _____

FLANGE BALL VALVE

Model TD80-65F ~ TD200-250F

Drawing no.	Size	Scale	Unit
A110214-01-05	A4	N:S	mm



■ DIMENSION

MODEL	QTY	ACTUATOR		H (APPROX.)	L±1.6	END CONNECTION						Q (MINI-ENCE)	+ (MIN WALL THICKNESS)	WEIGHT (APPROX.)
		A	A1			T	d	RF	C	D	N-H			
TD200-250F	-	640	230	650	533	24	250	325	355	400	12-25	-	-	-
TD160-200F	-	540	178	531	457	22	200	265	290	330	12-23	-	-	-
TD140-150F	-	456	158	471	394	22	150	215	240	280	8-23	-	-	-
TD125-125F	-	326	136	433	356	20	125	185	210	250	8-23	-	-	-
TD100-100F	-	296	143	347	229	18	100	155	175	210	8-19	-	-	-
TD80-80F	-	246	99	311	203	18	80	130	150	185	8-19	-	-	-
TD80-65F	-	246	99	288	190	18	65	120	140	175	4-19	-	-	-

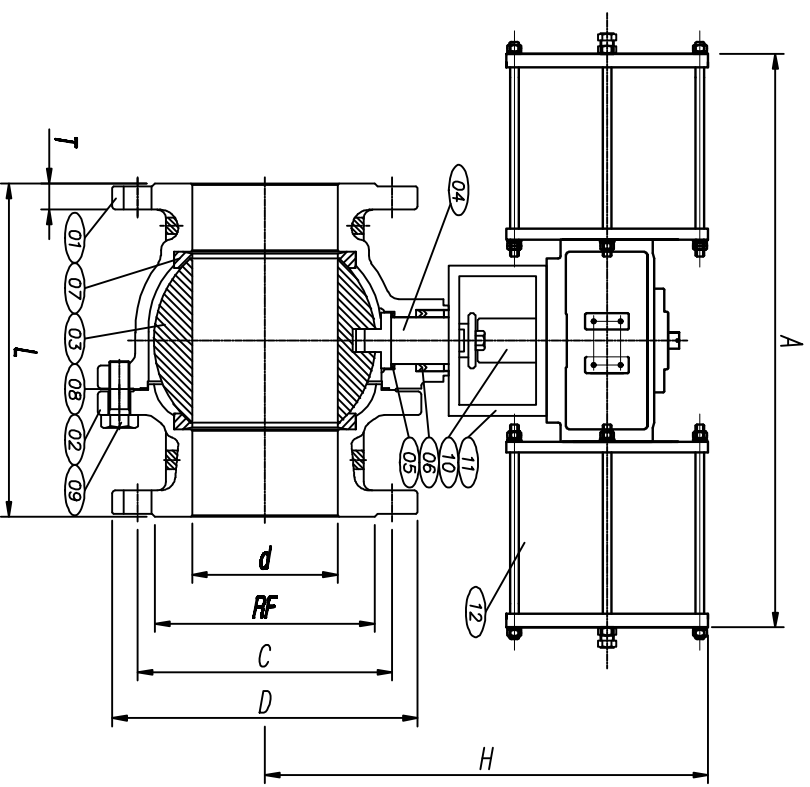
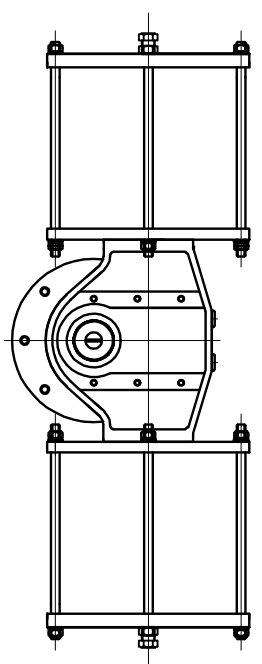
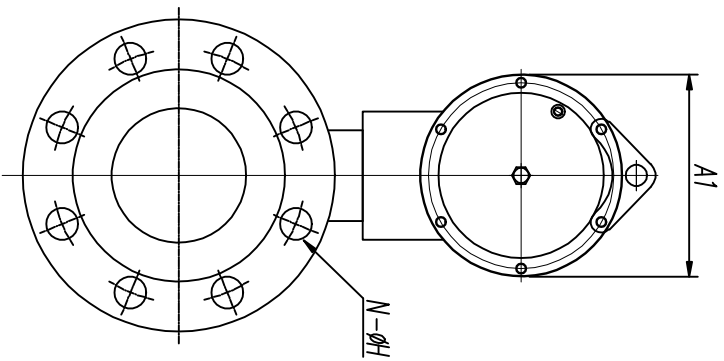
JIS 10K RF(mm)

■ INSTALLATION SCHEMATIC

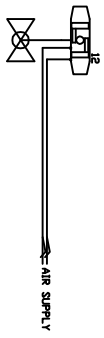


05-3

FOR APPROVAL



INSTALLATION SCHEMATIC

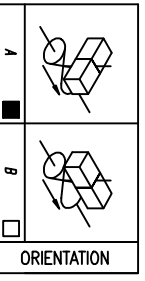
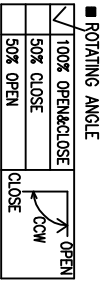


JIS 10K RF(mm)

DIMENSION	TD300D-350F		TD250D-300F		T	END CONNECTION				Q	+	-	
	1050	370	864	325		RF	C	D	N-H				0
QTY	864	325	1098	1078	24	350	415	445	490	16-25			
ACTUATOR	A	A1	H	(APPROX.)	L±1.6								

NO.	PART NAME	QTY	MATERIAL	REMARK
1	BODY	1	SCS13	
2	BONNET	1	SCS13	
3	BALL	1	SUS304	
4	STEM	1	SUS304	
5	BACK SEAT	1	PTFE	
6	PACKING	1SET	PTFE	
7	SEAT RING	2	PTFE	
8	GASKET	1	PTFE	
9	BONNET BOLT	1SET	A193-B7	
10	JOINT	1	A 351 CF8	
11	BRACKET	1	A 351 CF8	
12	ACTUATOR	1	TD250D,TD300D	KOREAW
13				
14				
15				

TAG NO.



Rev.	Date	Description	Pre.d	Che.d	App.d

Designed by _____ Checked by _____ Approved by _____

CL, KM

FLANGE BALL VALVE

Model TD250D-300F ~ TD300D-350F

Drawing no.	A110214-01-05	Size	A4	Scale	N:S	Unit	mm
-------------	---------------	------	----	-------	-----	------	----

